

ENGINE

D13C, EM-EU5

WIRING DIAGRAM CO

Page 1

0

1

2

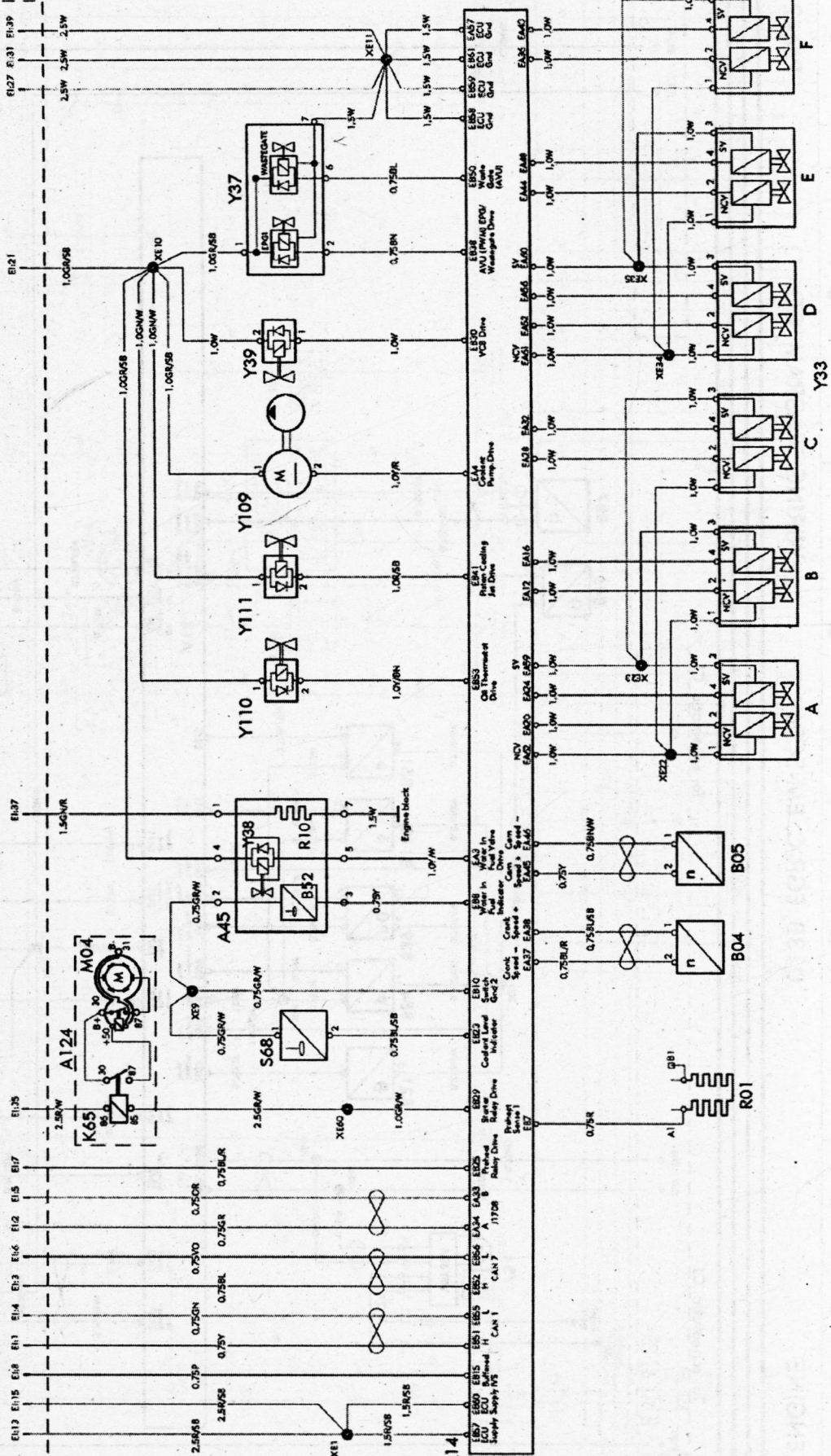
3

To schematic CJ

To schematic CJ

To schematic CJ

To schematic CJ



A

B

C

D

Y33

A

B

C

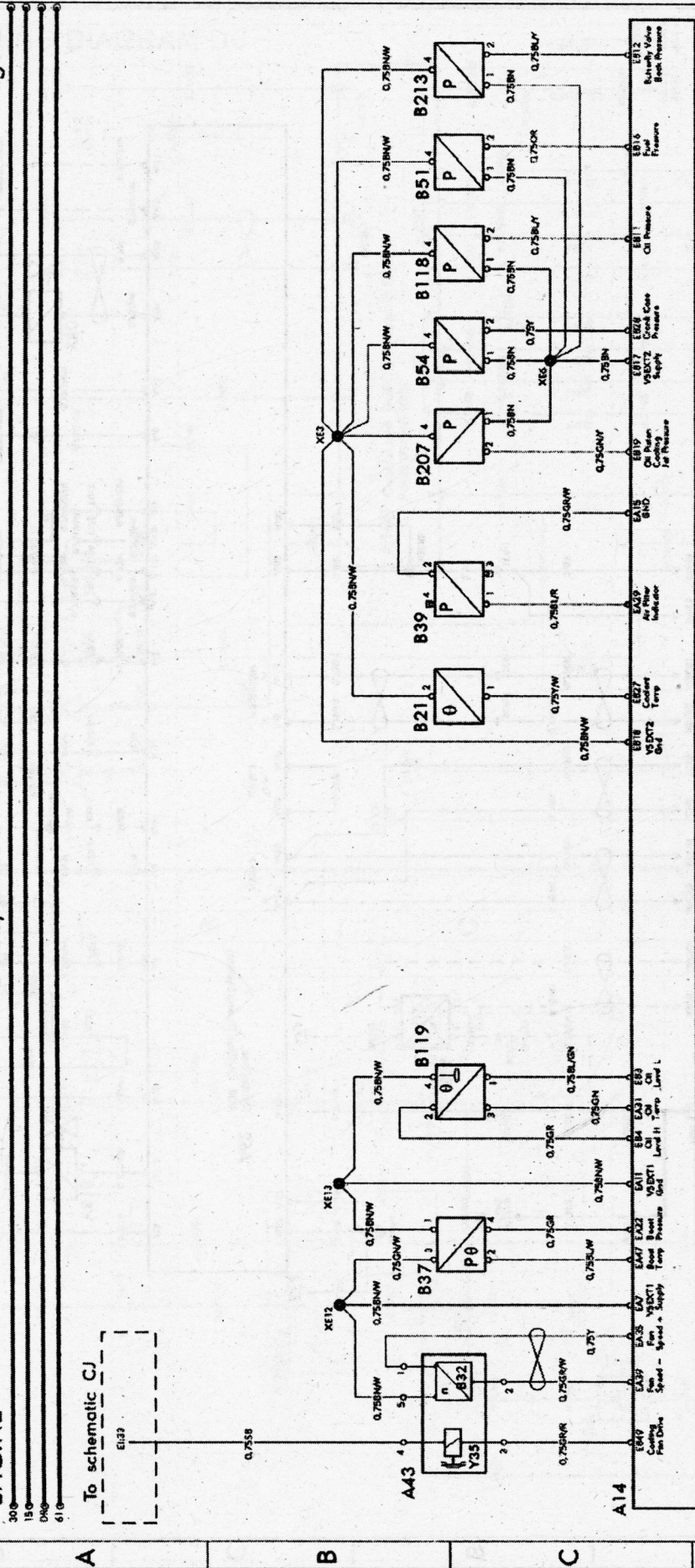
D

E

F

To schematic CJ

0 1 2 3



A

B

C

ALLIANCE ELECTRIC CO

WIRING DIAGRAM CV

3

2

1

0

SCR

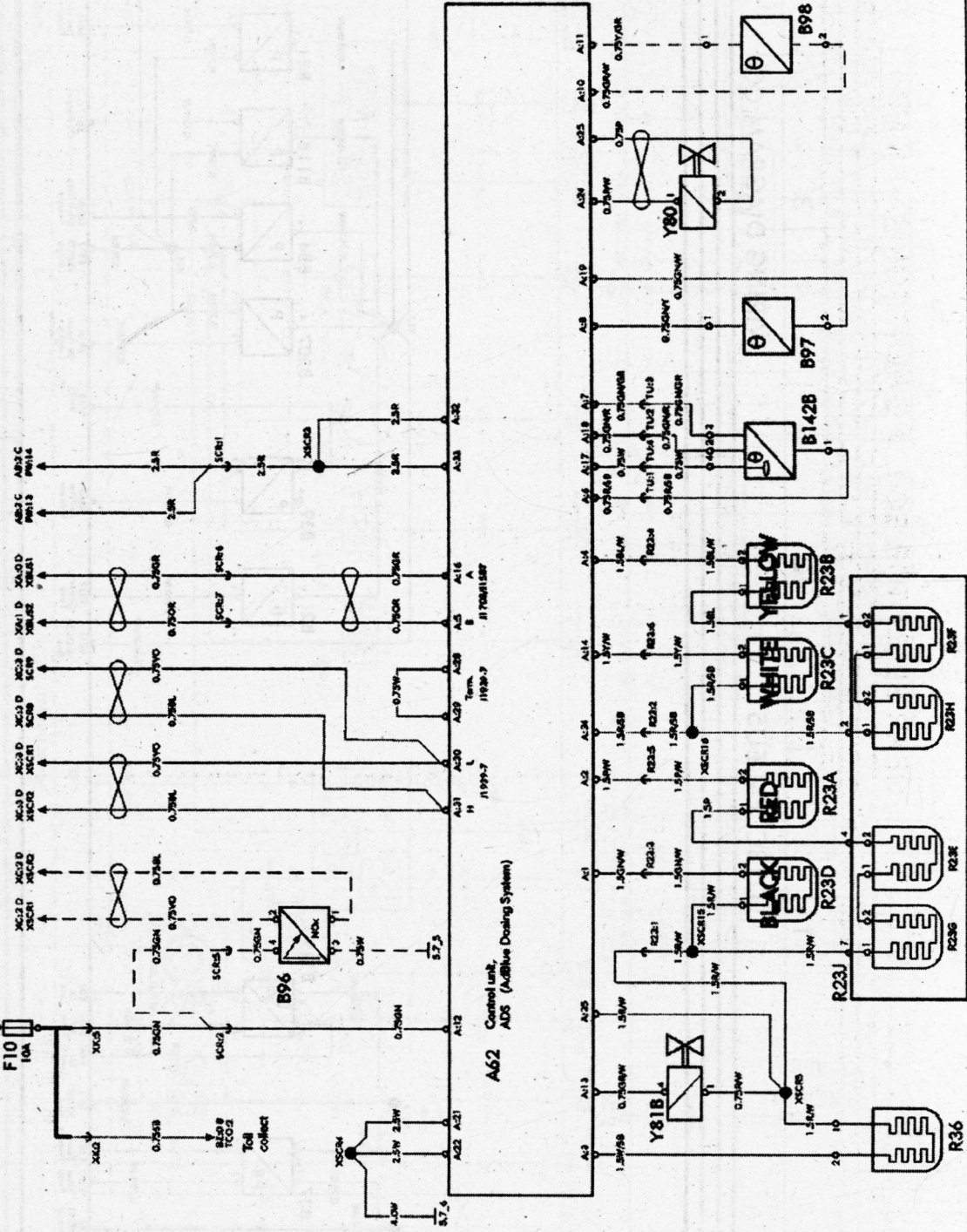
20
15
0K
41

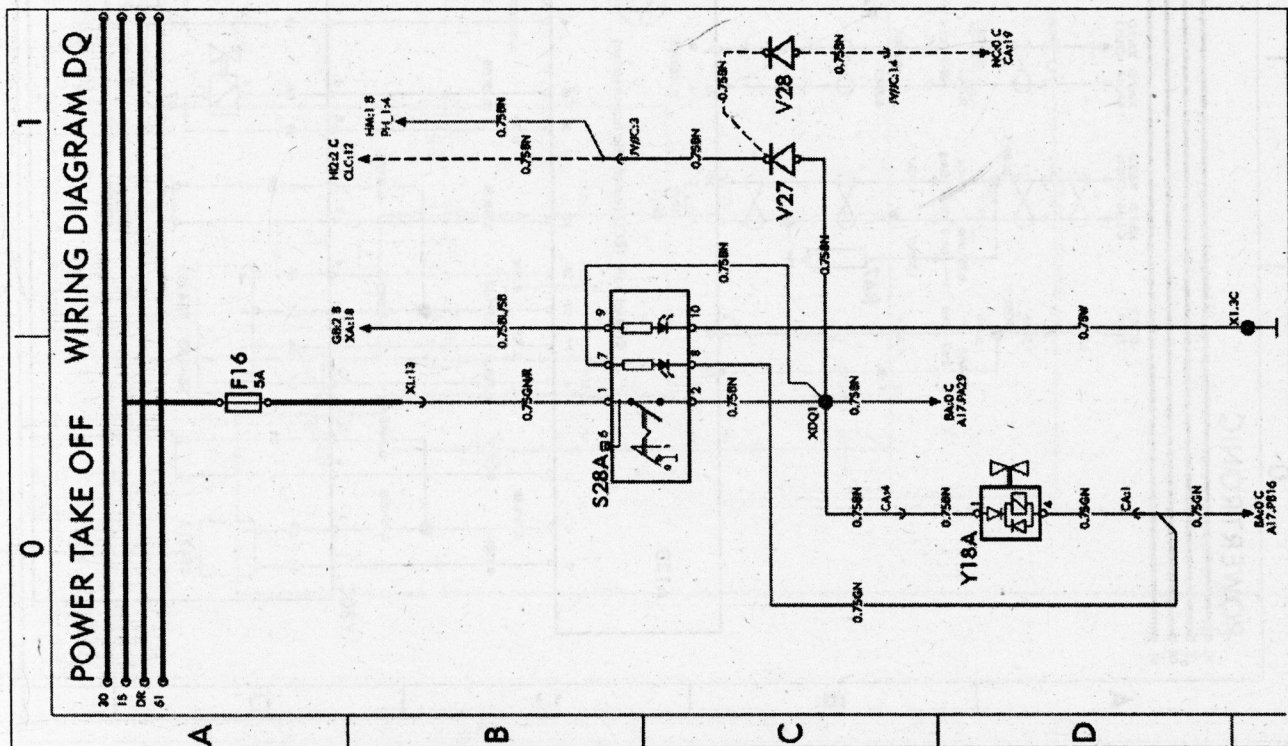
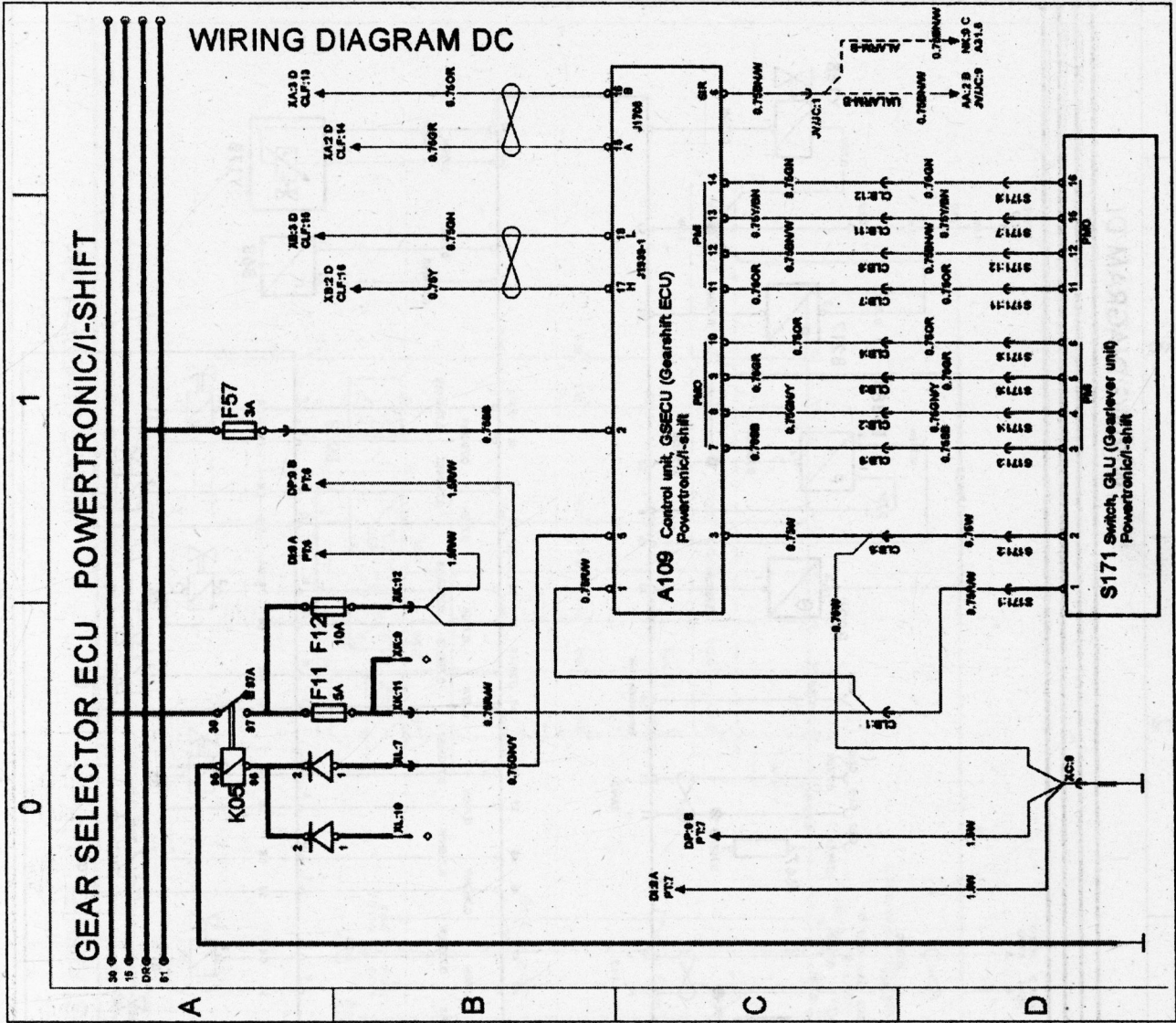
A

B

C

D





WIRING DIAGRAM DI

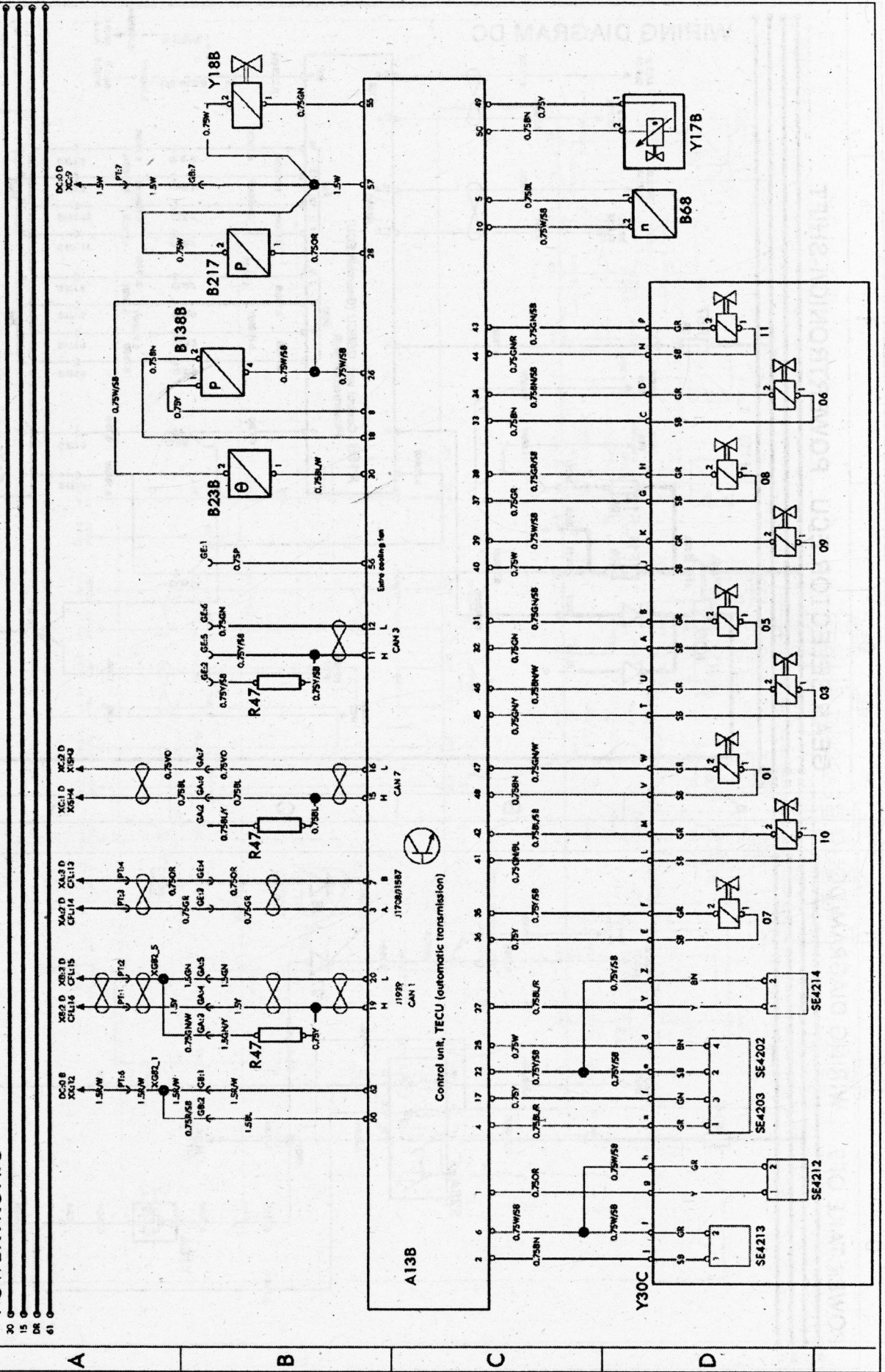
3

2

1

0

POWERTRONIC



A13B

Control unit, TECU (automatic transmission)

Y30C

SE4212

SE4203 SE4202

SE4214

07

01

03

05

09

08

06

11

10

068

Y178

50

49

57

28

55

56

58

59

54

53

52

51

50

49

48

47

46

45

44

43

42

41

40

39

38

37

36

35

34

33

32

31

30

29

28

27

26

25

24

23

22

21

20

19

18

17

16

15

14

13

12

11

10

9

8

7

6

5

4

3

2

1

0

30

29

28

27

26

25

24

23

22

21

20

19

18

17

16

15

14

13

12

11

10

9

8

7

6

5

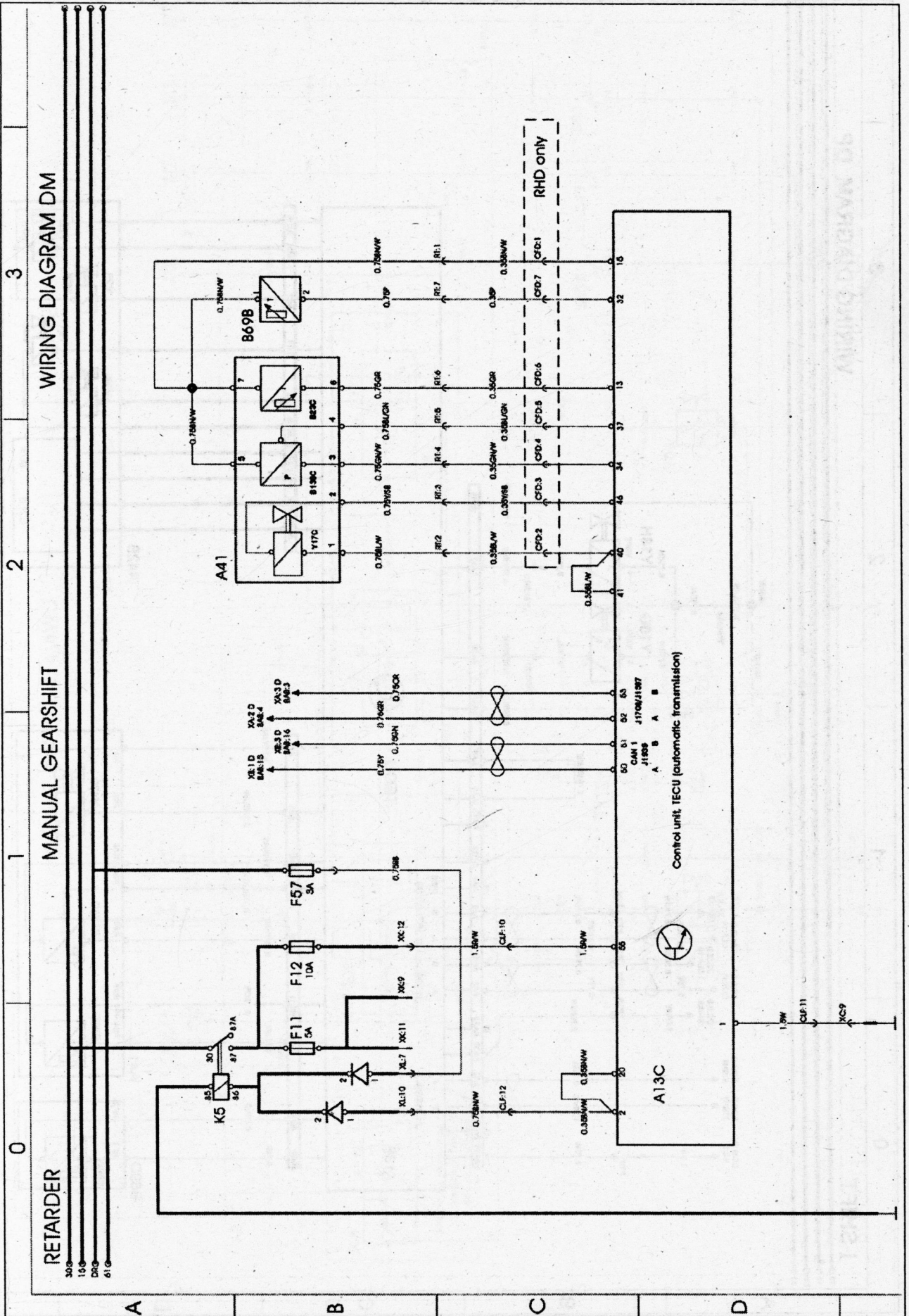
4

3

2

1

0



WIRING DIAGRAM DP

3

2

1

0

I-SHIFT

30 0
14 0
DNC
61 0

